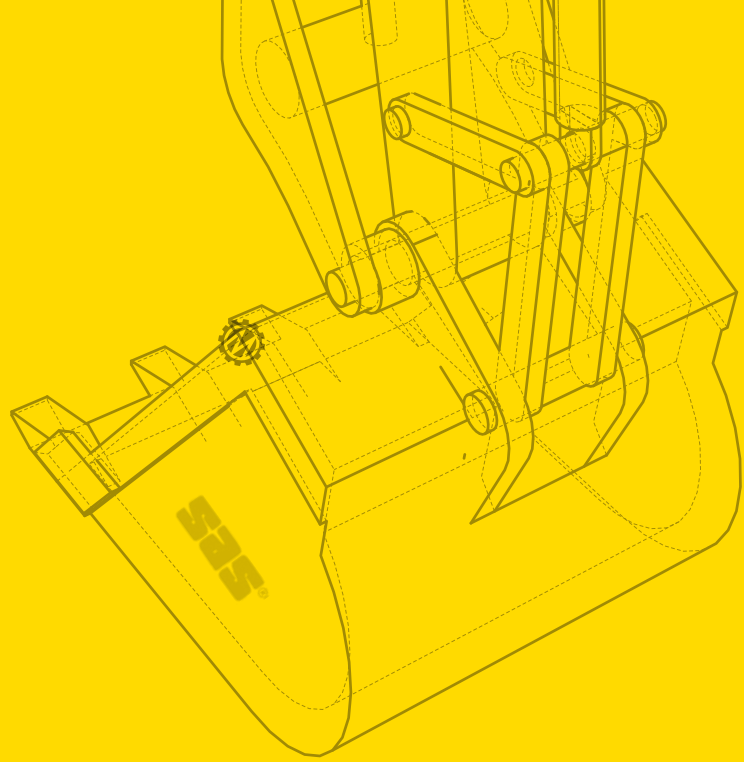


**WE'RE A PART  
OF YOUR  
STRENGTH!**



**Mak-is®**





REDEFINING THE  
LIMITS OF POWER!





*Mak-iş  
Dökümcüler OSB Facilities*



*Mak-iş  
Anadolu OSB Facilities*



01

**The  
Superheroes of  
Manufacturing!**



## Passion, Dedication and Expertise

Since its establishment in the early 1980s at in central Ankara, MAK-iŞ began as a spare parts trader. With its move to the Ostim Organized Industrial Zone, the company expanded its scope to include technical services and spare parts production.

Today, MAK-iŞ operates across three organized industrial zones in Ankara, offering industrial solutions on over 15,000 m<sup>2</sup> of space continuously advancing its growth by updating its expertise, courage, and technology.



02

Superb quality  
in extreme  
conditions



  
**Mak-ış**  
[www.mak-is.com](http://www.mak-is.com)

## All Your Repair-Parts Needs, All In One Place

MAK-İŞ provides a wide range of solutions, from periodic maintenance materials to advanced technology spare parts, as well as wear components and accessories for dozers, excavators, graders, and wheel loaders. With an extensive stock for leading brands like Caterpillar, Komatsu, Hitachi, Volvo, and Hidromek, MAK-İŞ offers smart solutions for all your spare part needs.

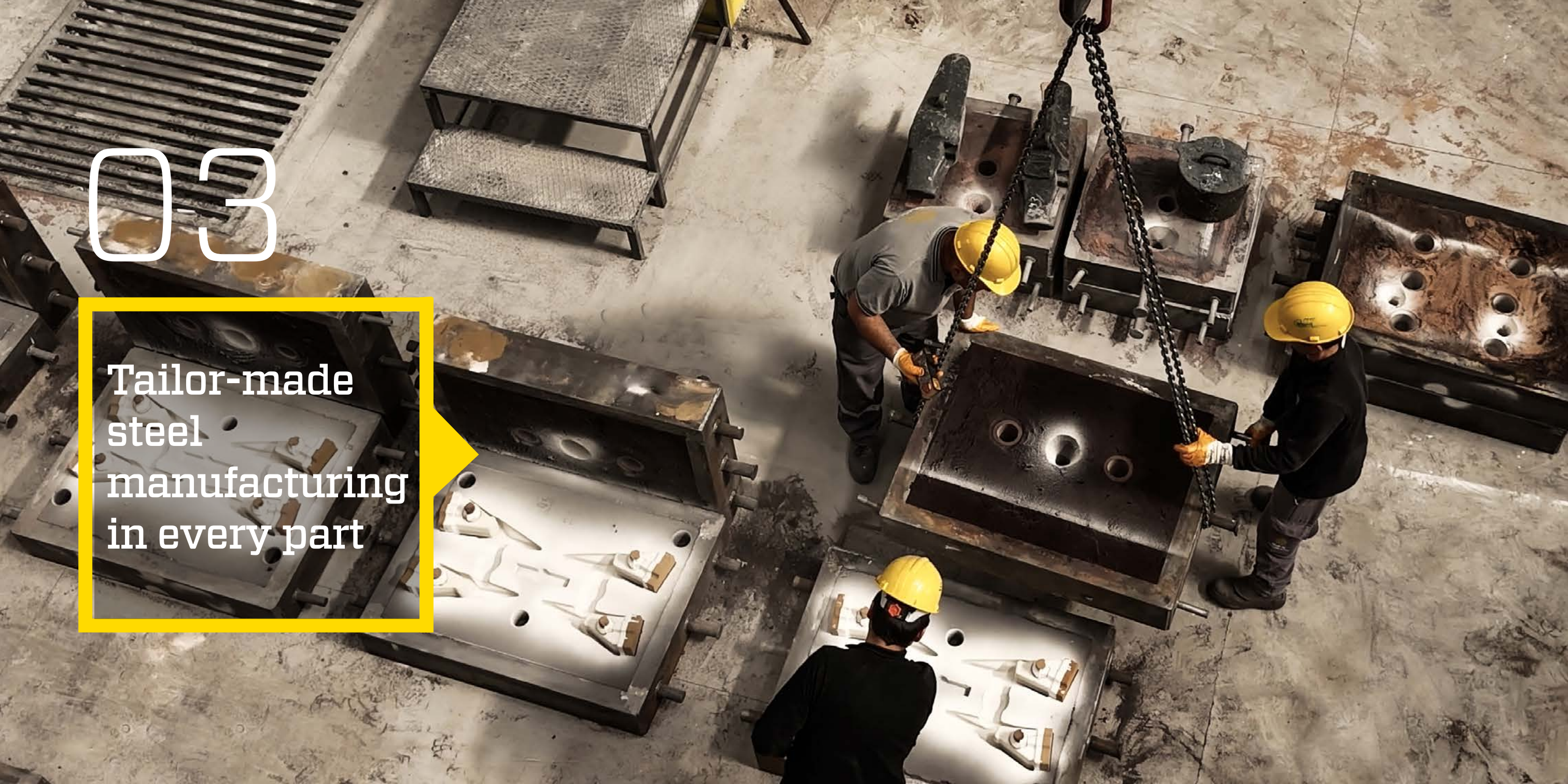
### Our product range includes:

- Engine Parts
- Fuel Pumps and Injectors
- Hydraulic Pumps and Internal Parts
- Transmission and Gear Sets
- Electronic Components
- Sealing Systems
- Maintenance Parts
- Accessories



03

Tailor-made  
steel  
manufacturing  
in every part







## Tailor-Made Casting Solutions

MAK-İŞ manufactures iron and steel-based wear parts for construction and mining machinery using cutting-edge production technologies at its own facilities.

With a strong production infrastructure and facilities in the Ankara Anadolu Organized Industrial Zone and the Foundry Organized Industrial Zone, it sets itself apart in the industry

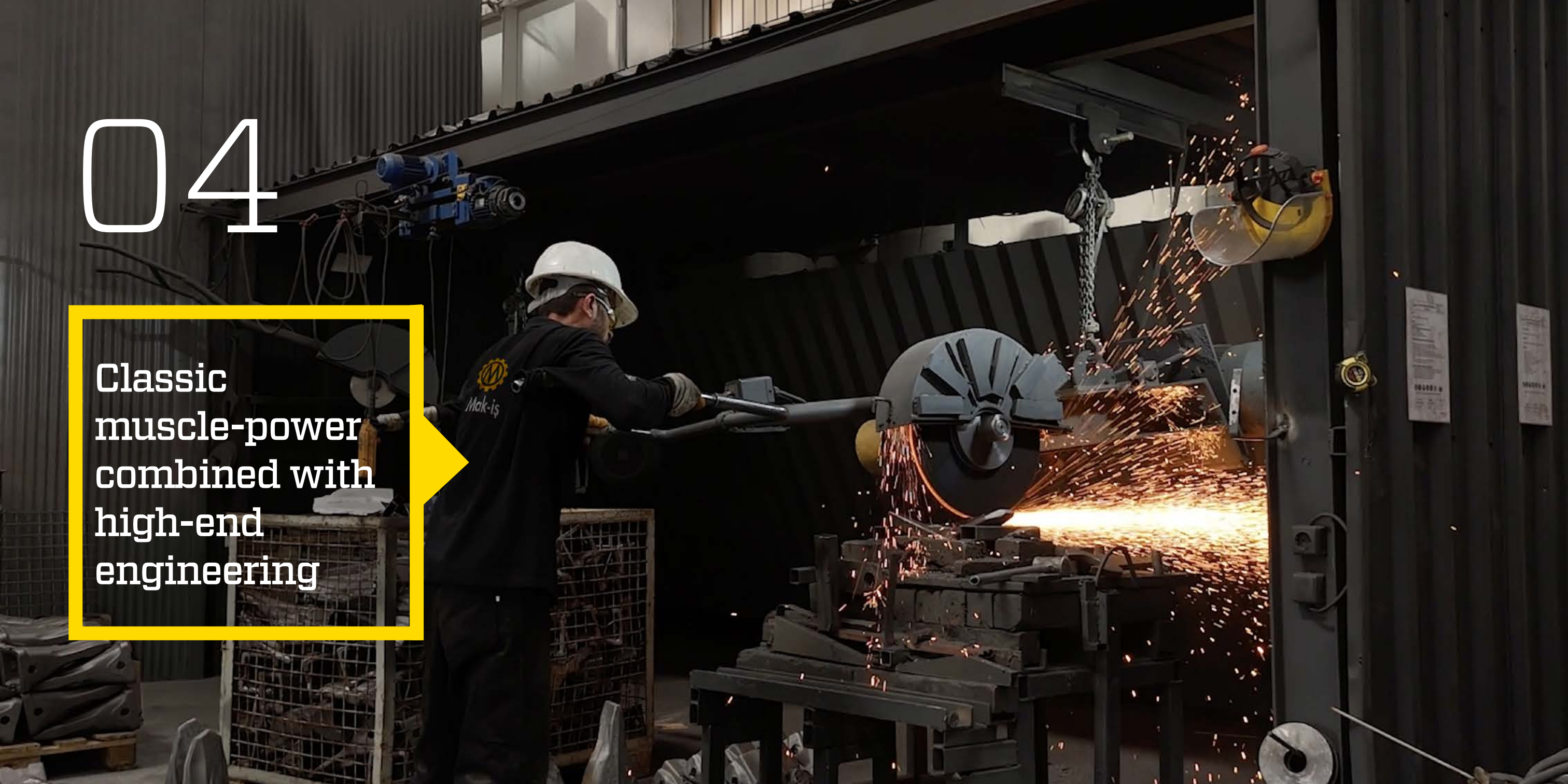
### Our product range:

- Buckets and Attachments
- Bucket Wear Parts
- Teeth and Adapters
- Dozer Cutting Edges
- One-piece Rippers
- Grader Cutting Edges
- Excavator Attachments
- Locking Pin



04

Classic  
muscle-power  
combined with  
high-end  
engineering





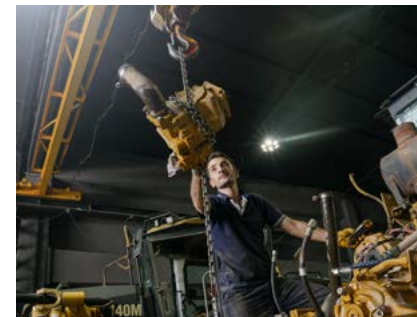
## Advanced Technology, Unmatched Service

### - Powering Our Technical Expertise.

Mak-İş has been addressing the increasing needs of the industry since 2016, blending knowledge, technology, and expertise in its technical service operations. Equipped with the latest electronic and mechanical maintenance tools, it delivers top-tier maintenance and repair services.

### **Our revision services for construction and mining equipment include:**

- Engine Overhauls
- Transmission and Differential Rebuilds
- Hydraulic Pump Rebuilds
- Tower Transmission & Hydromotor Overhauls
- Grader Tandem and Circle Rebuild Services
- Undercarriage Rebuilds
- Bucket Rebuilds
- Periodic Maintenance Services
- Independent Inspection Services







[www.mak-is.com](http://www.mak-is.com)

**Foundry:** Dökümcüler İhtisas OSB No: 1, Sincan

**Heat Treatment and Welded Manufacturing:** Anadolu OSB 30 Ağustos Street. No: 10, Sincan

**Retail Sales:** İvedik OSB 1416 Street No4 Ostim | **Technical Service:** 2284 Street No 27-29 Ostim

**T:** 0312 395 6525 | [info@mak-is.com](mailto:info@mak-is.com)